

ISTEC®

SHOWERS & EYEBATHS

P/N: 15032000 (Stainless Steel)

P/N: 15032500 (Galvanized and Painted Steel)

Our combined emergency showers and Eye/face washes are certified according to TS EN 15154-1, TS EN 15154-2 and ANSI/ISEA Z358.1-2014 standards. Also GOST-R certified.

Push handle and treadle foot activation for eye/face wash

Pull rod activation for shower



Part Number		15032000	15032500
Material		Stainless Steel	Galvanized and Painted Steel
Pipes	Water Inlet	1"	1"
	Body	1 ¼"	1 ¼"
Activation	Emergency Shower	Pull Rod	Pull Rod
	Eye/Face Wash	Push Handle & Foot Treadle	Push Handle & Foot Treadle
Bowl Diameter		300 mm	300 mm
Package Dimensions (WxLxH)		360x890x210 mm	360x890x210 mm
Weight		21,80 kgs	21,80 kgs

ISTEC® TYPE ESW

P/N: 15032000 & 15032500



ERC/GOST-R



PLUMBING



LISTED



American National Standards Institute

ANSI/ISEA Z358.1-2014 International Standard Requirements

- ✓ The required water flow should be provided when the eye/face wash fountain and emergency shower are operating at the same time.
- ✓ Stay-open valve should activate the system in a second or less and the valve must remain open until the user turns it off.
- ✓ The height of the shower head from the ground should be between 208.3 cm and 243.8 cm.
- ✓ The emergency shower should provide at least 75.7 l/min for 15 minutes on the diameter required by the standard. The water temperature should be tepid between 16-38 ° C.
- ✓ The emergency shower control should be easily accessible and visible and should not be more than 173.3 cm above the ground.
- ✓ The center of the water column should be at least 40.6 cm away from any obstruction.
- ✓ Spray nozzles must be protected by dust covers against contaminants. Dust covers must be opened automatically by the water flow.
- ✓ The eye/face wash fountain should deliver at least 11.4 l/min, and eye wash should deliver at least 1.5 l/min for 15 minutes. The water temperature should be tepid, between 16-38 ° C.
- ✓ Stay-open valve should activate the system in a second or less and the valve must remain open until the user turns it off.
- ✓ The control of the eye/face wash fountain should be easy to recognize and easy to find by the user.
- ✓ The water pattern should be located at a height of between 83.8 cm and 134.6 cm from the ground and 15.3 cm away from the nearest obstacle or wall.

ISTEC® SHOWERS & EYEBATHS

Combined Eye wash and Body showers are designed and intended to be installed in close range of persons working in a potentially hazardous area. The main purpose of these devices is to immediately deliver a flushing fluid in a sufficient volume to extinguish flames and/or to flush the body following exposure to injurious substances or heat. With this accomplished the injured person can proceed to medical care. Sprays water from showerhead. Rinses eyes and face with clean water via twin spray nozzles.

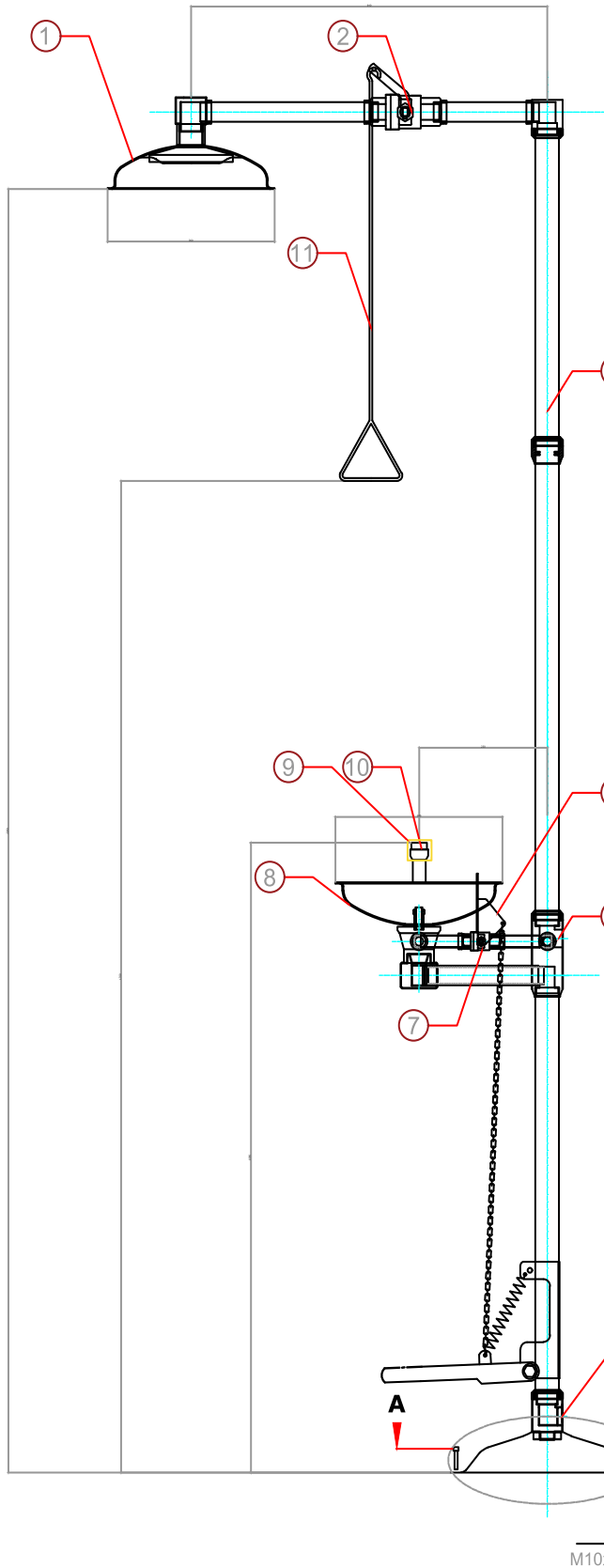
The unit guarantees 15 minutes of constant water flow when connected to mains supply.

24 months limited warranty.

OPTIONAL ACCESSORIES

	ISTEC® TYPE EW EYE / FACE WASHES	ISTEC® TYPE ES EMERGENCY SHOWERS	ISTEC® TYPE ESW COMBINED SHOWERS
Water Pressure Regulator	✓	✓	✓
Chemical Resistant Coating	✓	✓	✓
Flanged Water Inlet	✓	✓	✓
Audible and Visual Alarm	✓	✓	✓
Grating / Drain Sump		✓	✓
GSM Warning System	✓	✓	✓
Freeze Protection Valve	✓	✓	✓
Scald Protection Valve	✓	✓	✓
ABS/Stainless/Galvanized Steel Eyewash Bowl	✓		✓
ABS/Stainless/Galvanized Steel Shower Head		✓	✓
ABS/Stainless/Galvanized Steel Bowl Cover	✓		✓
Thermo Rubber Eye/Face Wash Dust Covers	✓		✓
Screen		✓	✓
Curtain		✓	✓
Pipe and Fittings Insulation		✓	✓

TECHNICAL DRAWING



NO.	DESCRIPTION	MATERIAL
12	Foot Control for Eyewash	Stainless Steel
11	Pull Rod Control for Shower	Stainless Steel
10	Spray Nozzles	Brass
9	Dust Cover on Eyewash Spray	Plastic
8	Eyewash Bowl	Stainless Steel
7	1 1/2" Ball Valv	Stainless Steel
6	Water Outlet 1 1/4" (Female)	Stainless Steel
5	Water Inlet 1" (Female)	Stainless Steel
4	Push Handle Control for Eyewash	Stainless Steel
3	Pipes	Stainless Steel
2	1" Ball Valve	Stainless Steel
1	Shower head Bowl (Ø300mm)	Stainless Steel

Standarts: EN 15154-1, EN 15154-2
 Water Flow: 11,5 lt / min for Eyewas
 75 lt / min for Showe
 Total Weight: 20,5 kgs
 Packed Dimensions: 89 x 36 x 20 cm

Static test pressure : 7 bar
 Min using pressure : 1,4 bar
 Max using pressure : 2,8 bar

section A-A

M10x45 bolt

ISTEC®
 SHOWERS & EYEBATHS

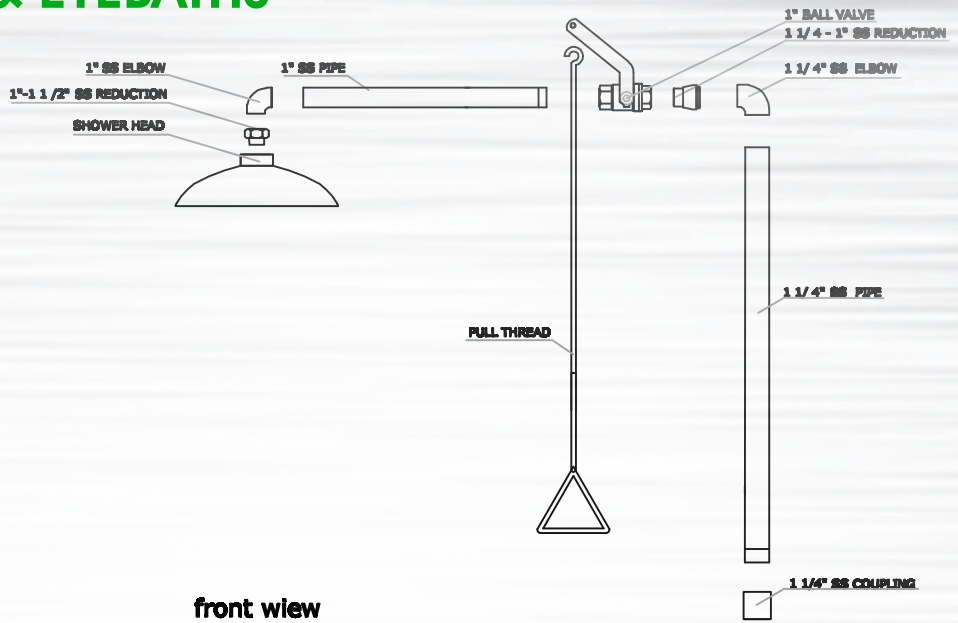
REV.	DATE	DESCRIPTION	DESIGNED	CHECKED	APPROVED
A		FIRST ISSUE	SS	FA	ST

CUSTOMER	
PRODUCT	15032000
DRAWING NUMBER/DATE:	527/16-
SHEET:	1
OF:	1
DRAWING NAME:	EMERGENCY SHOWER

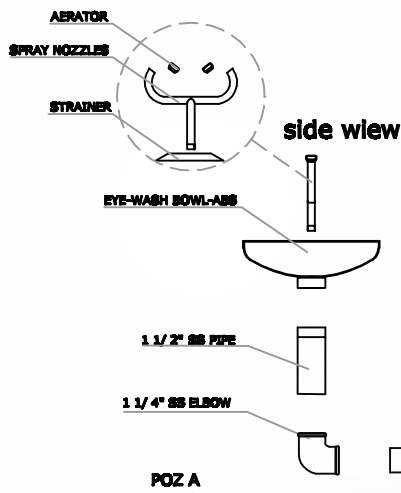
IST İsci Sağlığı Teçizatı Sanayi ve Ticaret Ltd Stı
 Ostim Melih Gokcek Blv 31 Caddesı 2269 sokak 42
 Ankara Turkiye 06374 www.ist.com.tr
 Ph 0090312 384 13 00 Fax 0090312 341 73 03

ISTEC®

SHOWERS & EYEBATHS

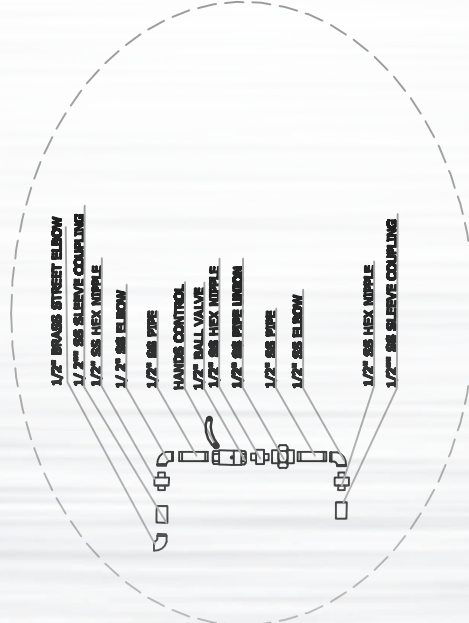


front view



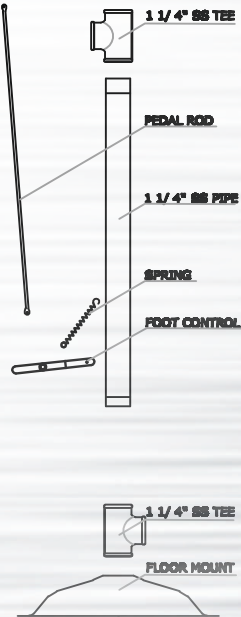
side view

POZ A



POZ A

1 1/4" SS PIPE



EXPLODED DRAWING

ISTEC®

SHOWERS & EYEBATHS

We provide variety of special services you may need.

Engineering Consultation

IST provides complete information on the design, use, supply and care of emergency showers and eye/face washes. For all your needs during a new plant installation or facility renovation, our experienced team will guide you to the best and most economical solution.

Quality and Safe Product Selection

Our product range has a wide range of standard and optional designs. For interior and exterior applications, we offer high quality systems with heating or cooling, with freeze protection, portable or fixed special systems.

Special Engineering Solutions

Each shower is designed for different purposes and cannot substitute each other. In addition, standardized units with heating or cooling, may not always be the right choice for your needs. IST is fully equipped to offer and produce the special designed systems according to your needs.

Adjusting Water Temperature

Tepid water supply (16 - 38 ° C), which is a requirement of both American and European standards, requires special attention. Our expert team has the capability to analyze resources of your facility and offer solutions to ensure that emergency showers and eye / face wash fountains will work properly under all circumstances.

Our experts will work in coordination with your design or expert team.

Pre-Sales Solid Modelling and Technical Drawing

We provide customized design and engineering solutions to customers with our advanced three-dimensional solid modelling software. In this way, our customers can more easily analyze the suitability of the product to their facility and can plan the project accordingly.

Two or three dimensional detailed technical drawings are available for all our products.

After-Sales Support

Our expert technicians can evaluate your existing emergency shower and eye/face wash systems to ensure compliance with ANSI and EN Standards.

Our expert team will assist you about training and product setup for your new emergency shower. All our products are guaranteed against production and workmanship defects for a period of 24 months.

📍 Ostim Mah. İvedik OSB 31.Cad. 2269.Sk. No: 42 • 06374 Yenimahalle, Ankara, TURKEY

☎ +90 312 384 13 00

📠 +90 312 341 73 03



✉ info@ist.com.tr

🌐 www.ist.com.tr

WHAT WE DO